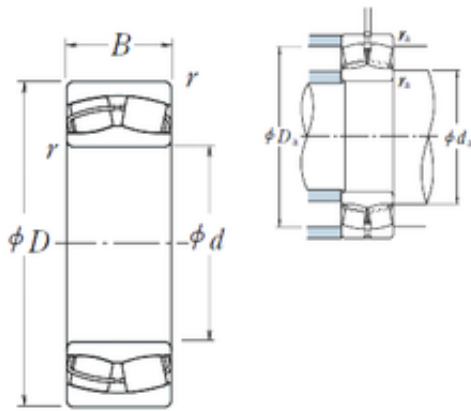




China Lm8uu Bearing Supplier



23234CE4 NSK Spherical Roller Bearing

Bearing No. 23234CE4

Size	170x310x110 mm
Bore Diameter	170 mm
Outer Diameter	310 mm
Width	110 mm
d	170 mm
D	310 mm
B	110 mm
C	110 mm
r min.	4 mm
da min.	188 mm
da max	201 mm
Da min	261 mm
Da max.	292 mm
ra max.	3 mm
Weight	36,4 Kg
Basic dynamic load rating (C)	1200 kN
Basic static load rating (C0)	1910 kN
(Grease) Lubrication Speed	900 r/min
(Oil) Lubrication Speed	1200 r/min
Calculation factor (e)	0,34
Calculation factor (Y0)	1,9
Calculation factor (Y2)	2,9
Category	Roller Bearings
Inventory	0.0
Manufacturer Name	NSK
Minimum Buy Quantity	N/A

23234CE4 Bearing 2D drawings and 3D CAD models



China Lm8uu Bearing Supplier

Weight / Kilogram	36.3
Product Group	B04311
Y3	2
hidYobi	23234CE4
LangID	1
Y1	2
D_	310
Y2	2.9
Macha rpm	0
B_	110
da min	188
hidTable	ecat_NSSPHR
Oil rpm	1200
Y0	1.9
mass	36.4
GRS rpm	900
ra	3
TSR rpm	1400
C0	1910
DE_	274.956
X0	1
Prod_Type3	SRB_CTB_CB
X1	1
X2	0.67
SIR	44
e	0.34
DA_	34
bomp	23234CE4
Z_	18
ALP2	50
ALP1	12
ALP3	0



China Lm8uu Bearing Supplier

D_a max	292
D_a min	261
yobi	23234CE4
ALPHA_	0.224
SDM_	241.805
r	4
KBRG	2322
SBRG	32
DI_	208.654