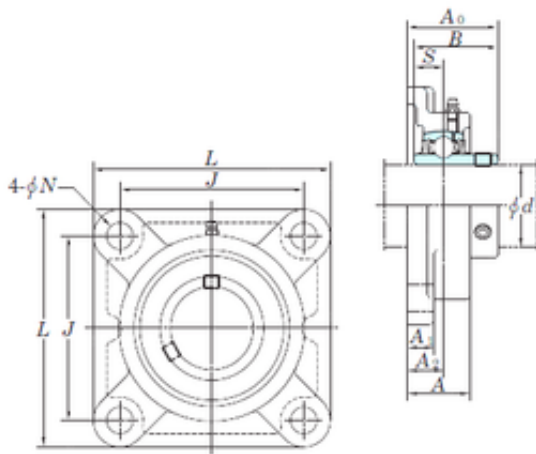




China Lm8uu Bearing Supplier



Ucf201 Bearing 2D drawings and 3D CAD models

NTN NSK Koyo Asahi SKF Timken
Professional Manufacturer Bearing Units Pillow
Block Bearing Ucf201 Ucf202 F203 F204 F205
F206

Bearing No. Ucf201

Bore Diameter	12 mm
d	12 mm
A0	33,3 mm
A	25,5 mm
A1	11 mm
B	31 mm
J	64 mm
L	86 mm
N	12 mm
S	12,7 mm
Bolt (G)	M10
A2	15 mm
Weight	0,64 Kg
Basic dynamic load rating (C)	12,8 kN
Basic static load rating (C0)	6,65 kN
Bearing No.	UCF201
Bolt size	M10
Cr	12.8
C0r	6.65
f0	13.2
(Refer.)Unit mass(kg)	0.64
Nipple size	1/4-28UNF